



Bobcat[®]

One Tough Animal.

DIESEL FORKLIFTS

9-Series, Pneumatic, 2.0 to 3.5 ton capacity

🌐 Europe



INTRODUCTION

ONE TOUGH ANIMAL



► BOBCAT'S HISTORY

In 1958, Melroe Manufacturing Company introduced a compact front-end loader that evolved quickly into the M400, the world's first true skid steer loader. The company soon adopted what became the world-famous 'Bobcat' brand – and its success paved the way for the global compact equipment industry we know today.

► YEARS OF EXPERIENCE

In 2021, Bobcat expanded its portfolio by acquiring Doosan Industrial Vehicle. This specialist in material handling equipment constructed its first forklift in 1968 and went on to establish a global presence with 400 dealers in 93 countries.



► BOBCAT TODAY

Bobcat is expanding its portfolio with the addition of forklifts and reach trucks for the material handling industry. Offering a comprehensive line-up that will meet all your intralogistics needs. Bobcat forklifts and reach trucks are produced in our factory in Korea, while our premium quality warehouse equipment is made in Germany.



► OUR MISSION

We empower operators to accomplish more, while working in the toughest conditions and tightest situations. When our customers have the will, we provide the way.

TOUGH, AGILE & SAFE

► READY TO GIVE YOUR BUSINESS A LIFT

Give your business a boost with a diesel forklift that ticks all the boxes: a high-performance, powerful, and efficient engine, smooth and variable controls, and a full suite of safety features – all in a machine that’s rugged, dependable, and easy to service, with a low total cost of ownership.



Floating cab reduces noise and vibration for maximum comfort and uptime

Customize the comfort of your cab by choosing your preferred control convenience (fingertip or levers) **P. 7**

Oil-cooled Disc Brakes for maximum productivity

Excellent visibility through the mast enables you to work more safely and with more efficiency **P. 7**

Durable frame and mast guarantee safer operation when carrying loads

Good visibility through roof enhances operator vision while lifting **P. 7**

New auxiliary weight provides excellent stability and reduces vibrations **P. 11**

Anti-slip step plate for increased safety when getting in & out of your machine

Tool-less removable side panel and floor plate for easy maintenance

Increased steer angle reduces the steering radius, allowing for improved maneuverability **P. 7**



► ULTIMATE PRODUCTIVITY

Do more every day, thanks to the high-performance yet efficient G2 diesel engine – with 45.6 kW of power and 300 Nm torque, and the best-in-class travel and lifting speeds. **P. 6–7**



► ALL-DAY COMFORT

Work through your shift in comfort – with less fatigue and with many quality-of-life features as standard: ergonomic seat, color display, plenty of legroom, anti-slip plate, and more. **P. 8–9**



► DRIVEN BY SAFETY

Enjoy peace of mind provided by the machine’s excellent all-around visibility, superb stability, and a full suite of smart sensors. **P. 10–11**



► MAXIMUM UPTIME

Minimize total cost of ownership with longer service intervals and high-quality, Bobcat genuine parts and consumables - which offer excellent value for money and help your machine run smoother and longer. **P. 12–13**

OUTSTANDING PRODUCTIVITY



▶ EXCELLENT VISIBILITY

Thanks to the precisely designed overhead guard with angled roof bars, and excellent visibility through the mast, you have the best view on the task at hand and accomplish more every day.



▶ POWERFUL DIESEL ENGINE

The high-performance yet efficient G2 diesel engine, with 45.6 kW of power and 300 Nm torque, provides best-in-class travel and lifting speeds. The available multi-torque model lets you tweak your machine's performance to adapt to any job.



▶ ADJUSTED TO YOUR NEEDS

The VCU (Vehicle Control Unit) allows you to see all critical parameters at a glance – and it also lets you adjust the speed limit and reverse lock speed limit on the fly, so you can be in total sync with your machine and do more.



▶ OPTIMIZED STEERING ANGLE

Even when space is limited, you can maneuver in and out of the tightest spots easily, thanks to the small turning radius. Enjoy working in places where others cannot!

COMFORT & CONTROLS



▶ EASILY ADJUSTABLE SEAT & COLUMN

The premium suspension seat provides a lot of space for the operator and all-day comfort for long shifts. The seat and the steering wheel column are easy to adjust, so every operator can feel right at home in the cab.

▶ ERGONOMIC CONTROLS

Thanks to the ergonomic design and perfect placement of control elements, operating this machine is as easy as can be. Levers or fingertip controls, and from HVAC to parking brake, you always have everything you need exactly where you need it.



▶ LARGE IN-CAB DISPLAY

You see all of the important info on the screen of your in-cab display. With this large 5-inch - or optional 7-inch - screen, you can check and control the machine's performance settings on the go with the simple touch of a button.

▶ REAR CAMERA DISPLAY

You can equip your machine with a rear-view camera, which automatically starts to feed to the additional in-cab display when in reverse mode - so you always have the best view of your workplace without sacrificing your comfort.

▶ POWERFUL SPEAKERS



You can equip your cab with powerful speakers to enjoy music throughout even the longest shifts.

▶ WELL-PLACED HANDLES

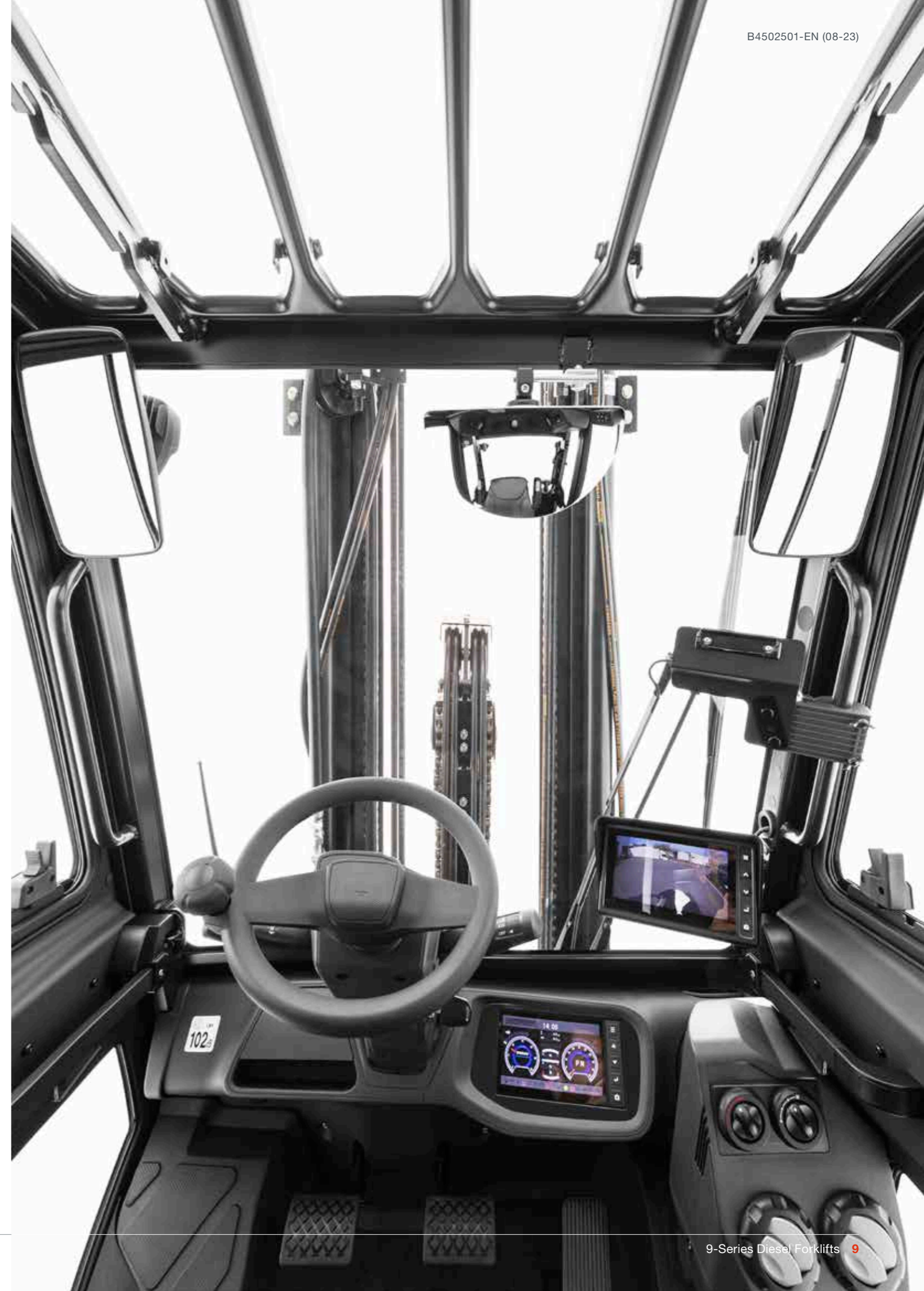


Thanks to the well-placed entry bar and handles, stepping in and out of your vehicle is quick and comfortable.

▶ MAINTAINING YOUR VISIBILITY



Thanks to well-placed buttons, you won't accidentally switch your wipers on and off while steering and manipulating the load.



SAFETY IN EVERY MOVE

▶ ADVANCED PROTECTION FOR YOU AND YOUR OPERATION

Bobcat forklifts have safety embedded in their DNA. Packed with tons of features that protect your health and your investment, these machines give you peace of mind in every task, every day.

▶ OPERATOR SENSING SYSTEM (OSS)

The machine's travel and mast lifting functions stop when the operator leaves the seat – so the forklift won't perform any unintended movements.



▶ ELECTRIC PARKING BRAKE (EPB)

The parking brake engages automatically. This safety feature ensures that the vehicle remains stationary when the operator exits the seat.



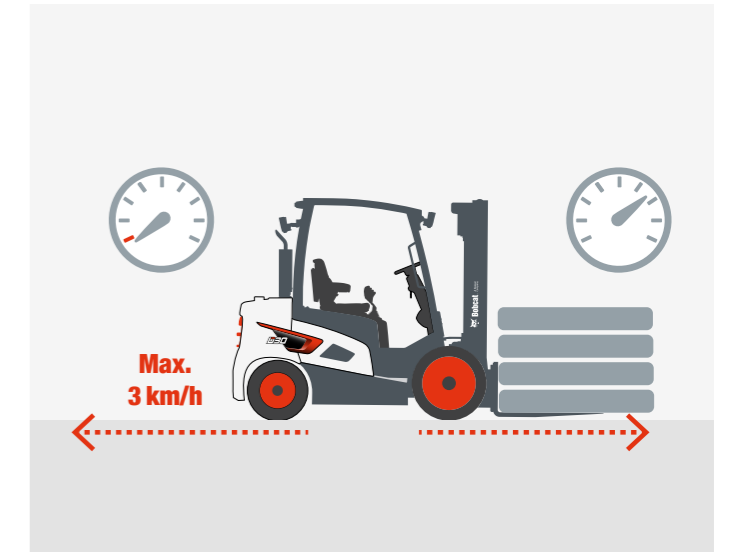
▶ AUXILIARY WEIGHT

The new auxiliary weight, located at the back of the forklift, provides excellent stability. It also reduces vibrations, increasing the lifespan of the machine's parts.



▶ REVERSE LOCK

Changing directions from forward to reverse is only possible when the machine's speed is less than 3 km/h.



▶ SEAT BELT SEQUENCE INTERLOCK

The operator needs to be seated with a fastened seatbelt in order to operate the forklift.



▶ GROUND SPEED CONTROL

To further increase safety, you can set a speed limit to keep your forklift from going too fast. The speed limit can be set separately for forward and reverse directions.



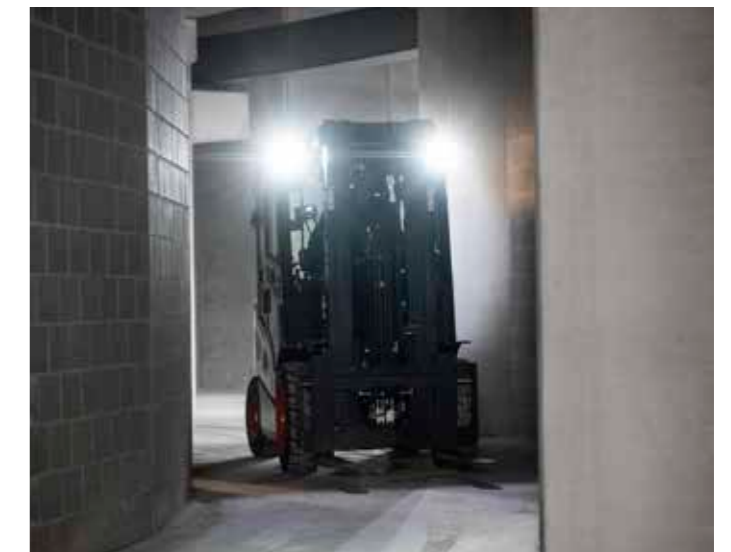
▶ LARGE PANORAMIC MIRROR

The large panoramic mirror provides great visibility onto the rear working area, increasing safety and adding to your overall productivity at the same time.



▶ POWERFUL LED LIGHTS

The powerful LED lights illuminate even the darkest places in your workplace - so you always safely see everything in your surroundings.

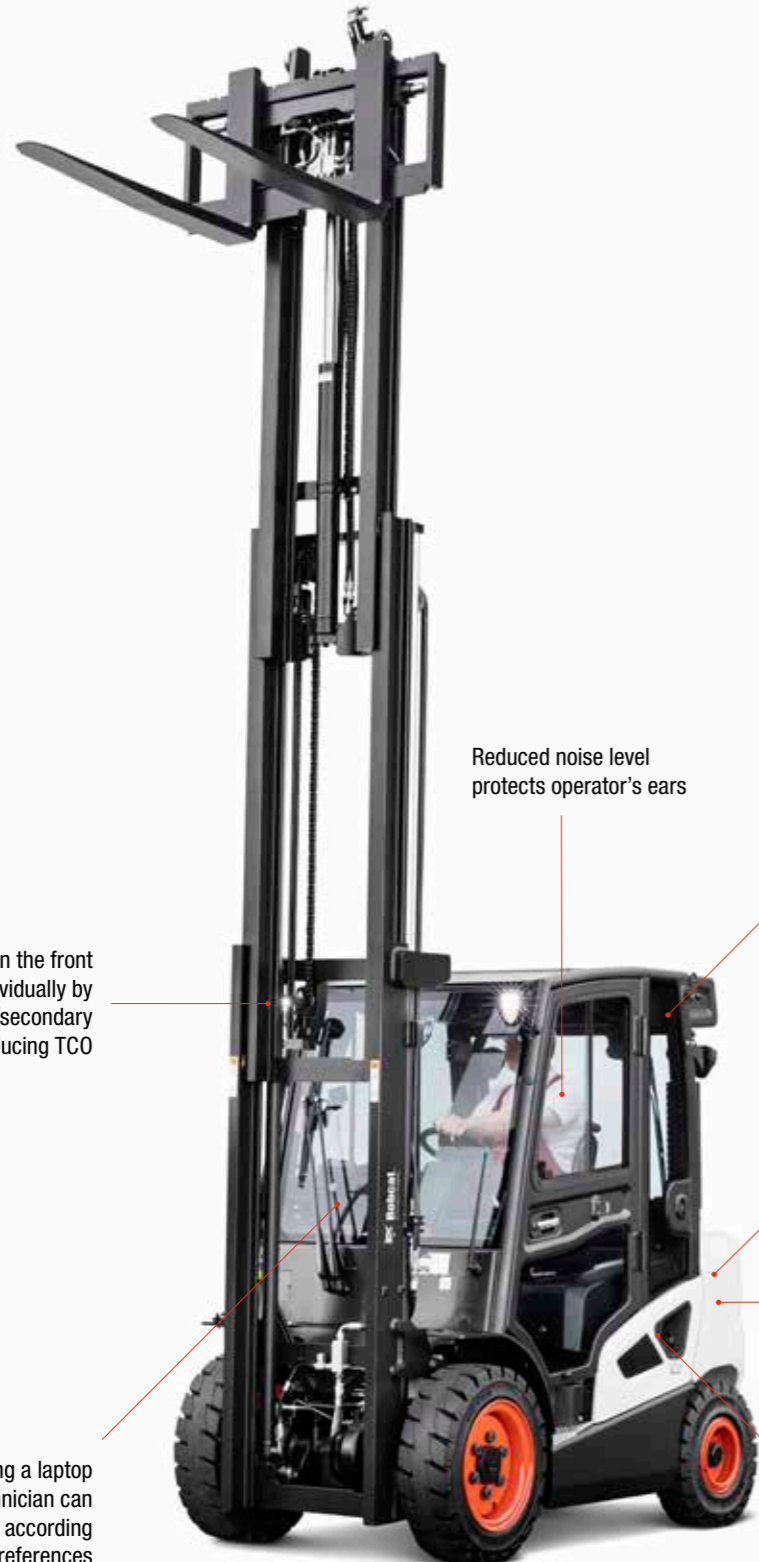


BUILT TO LAST

▶ EXCELLENT RELIABILITY

Thanks to a powerful G2 engine, dust- & water-resistant parts, and a cab that reduces vibrations, Bobcat 9-Series diesel forklifts are built tough to provide you with maximum uptime and dependability.

THERE'S NO TIME FOR DOWNTIME. STAND UP TO EVERY TASK THAT COMES YOUR WAY. DAY AFTER DAY.



The attachment hose on the front end can be replaced individually by separating the primary/secondary section, reducing TCO

Reduced noise level protects operator's ears

Full floating cab reduces noise inside, while also reducing vibrations for longer component lifespan

Improved quality of electronic components and IP65 protection of connectors to minimize downtime

Auxiliary weight further reduces vibrations to extend component life
P. 11

The floor plate and side panel can be removed without tools, making maintenance quick and easy

Simply by connecting a laptop to the forklift, a technician can adjust all the parameters according to the operator's preferences

2 YEAR WARRANTY

▶ WARRANTY

Bobcat develops every machine to the highest standards of quality and durability. That's why our standard warranty provides 24 months or 2000 operating hours (whichever occurs first) of coverage.



▶ PROTECTION PLUS EXTENDED WARRANTY

Enjoy total peace of mind with Protection Plus extended warranty. Providing the same level of protection as the standard warranty, Protection Plus also reflects different customer needs and expectations by offering a choice of durations and annual operating hours.

▶ EXTENSIVE DEALER NETWORK

You can rely on our network of dealers and service partners who are always ready to help you.

▶ BOBCAT GENUINE PARTS

Quality components delivered to our dealers guarantee that each part of our equipment is built to last, withstand the toughest conditions, and provide reliable performance.

MAIN SPECIFICATIONS

TECHNICAL DATA ACCORDING TO VDI 2198						
		D20S-9	D25S-9	D30S-9	D33S-9	D35C-9
Drive				diesel		
Load capacity (kg)	Q	2 000	2 500	3 000	3 250	3 500
Load center (mm)	c	500				
Load distance: center of drive axle to fork (mm)	x	480		485		495
Wheelbase (mm)	y	1 700				
Service weight (kg)		3 830	4 030	4 530	4 615	4 720
Tread front (mm)	b11	975		982		1 026
Tread rear (mm)	b12	990				
Tilt of mast/fork carriage forward/backward (°)	α/β	6/10				
Height mast lowered (mm)	h1	1 590 – 3 440		1 580 – 3 430		1 855 – 3 555
Free lift (mm)	h2	147 – 2 765		152 – 2 715		152 – 2 350
Maximum fork height	h3	2 030 – 8 250		2 030 – 7 810		2 350 – 6 900
Height mast extended (mm)	h4	3 280 – 9 500		3 280 – 9 055		8 150
Height of overhead guard (mm)	h6	2 183				
Height of seat (mm)	h7	1 026				
Overall length (mm)	l1	3 624	3 674	3 779	3 798	3 828
Length to forkface (mm)	l2	2 574	2 625	2 730	2 749	2 779
Overall width (mm)	b1/b2	1 170		1 197		1 255
Fork carriage ISO 2328. class/type A.B		II		III		
Ground clearance loaded below mast	m1	115		105		
Ground clearance center of wheelbase	m2	143				
Aisle width for pallets 1 000 × 1 200 crossways	Ast	3 910	3 950	4 040	4 055	4 085
Aisle width for pallets 800 × 1 200 lengthways	Ast	4 110	4 150	4 240	4 255	4 285
External turning radius	Wa	2 230	2 270	2 355	2 370	2 390
Internal turning radius	b13	640		641.5		652.5
Travel speed loaded/unloaded		20/21		19/20		20/21
Lift speed loaded/unloaded		0.61/0.65	0.60/0.65	0.59/0.65	0.51/0.56	0.50/0.56
Lowering speed loaded/unloaded		0.51/0.45				
Max. drawbar pull loaded/unloaded		19 860/19 400	19 900/19 600	20 830/20 170	20 720/20 200	19 510/18 940
Max. gradeability loaded/unloaded		38.1/63.5	32.5/52.5	29.3/50.5	27.4/48.1	25.2/45.7
Engine manufacturer/type		DI/DM02VA				
Engine power according to DIN ISO1585		45.6				
Rated speed		2 200				
Torque at 1/min		300/1 200–1 400				
Number of cylinders/displacement		4/2 392				
Fuel consumption according to VDI cycle		2.8	3.4	3.8	3.9	4

Specification values quoted in this specification sheet have been rounded. Performance may vary depending on operating conditions. Products and specifications are subject to improvement and change without prior notice.
 (1) Mast dimensions refer to a range from the lowest to highest available mast

Note: Load capacities are based on the standard chassis without side shifter.

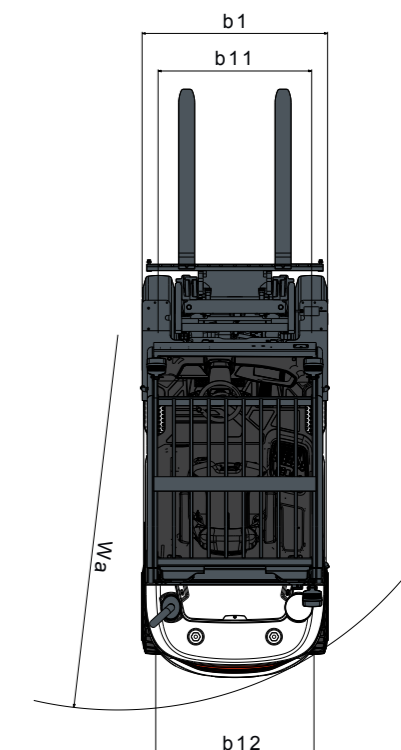
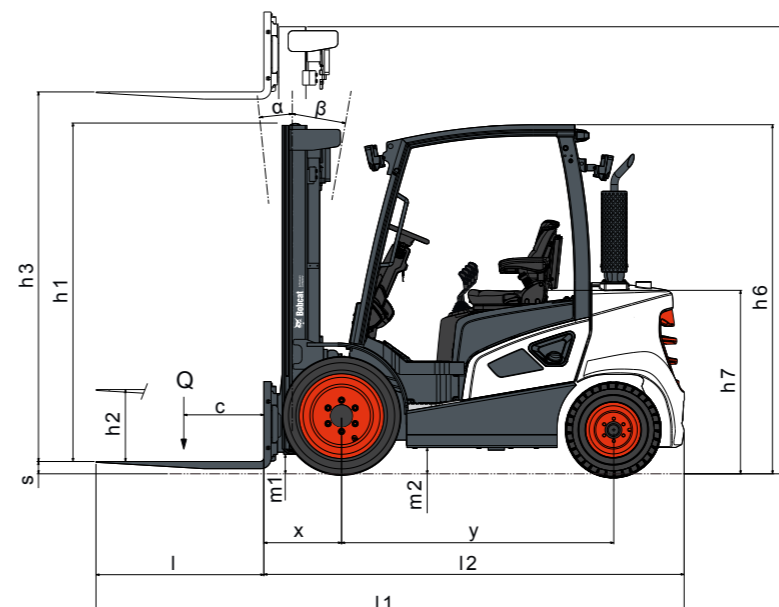
STANDARD EQUIPMENT & OPTIONS

STANDARD EQUIPMENT & OPTIONS	
SAFETY	
Operator Sensing System	✓
Ground speed control	✓
LED front lights	✓
Auto shift controller	✓
Electronic parking brake	✓
Auxiliary weight	✓
Reverse lock	✓
Rear-view camera	•
Rear detector	•
Strobe lights	•
Blue safety lights	•
Fence (zone) lights	•
Backup alarm	•
PRODUCTIVITY	
High-powered, fuel-efficient engine	✓
Multi-torque mode	✓
Emission Regulation Stage V	✓
Auto tilt leveling	•
Weight indicator (hydraulic)	•
Weight scale (load cell type)	•
RELIABILITY	
Heavy-duty radiator	✓
Dual element air cleaner	✓
Pre-cleaner	•
High-speed fan	•
Vented side panel	•
SERVICEABILITY	
Tool-less side Panel / floor plate	✓
Radiator cover on the counterweight	✓
Easy diagnosis	✓
Easy to access the components	✓
Service notification	✓

STANDARD EQUIPMENT & OPTIONS	
ERGONOMICS	
Spacious leg room	✓
Excellent visibility	✓
Small steering wheel	✓
Large entry grip bar	✓
Anti-slip step plate	✓
Large rear-view mirror	✓
USB port & document clip	✓
Telescopic steering column	✓
Modular Cab – Type A,B,C	•
Full cab	•
Rear grab bar with horn	•
Document clip board	•
Cup holder	•
Reading light	•
Heater	•
Air-conditioning	•
Keyless ignition	•
Operator fan	•
Radio and MP3 player	•
Sun visor	•
7-inch display (5-inch by default)	•
GSS Plus (additional safety features related to mast)	•
Fingertip (levers by default)	•
Mono-pedal	•
Mud guards	•

*This list is based on factory data. Standard or optional can vary for specific countries.

- = option
- ✓ = standard
- = not available



FINANCING OPTIONS

24, 36, OR 48 MONTH FINANCING*

Take advantage of 24, 36 or 48 month financing programs starting from **0% interest** and improve your cashflow.

Ask your dealer for the financing offers available.

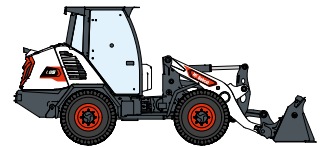
145 MACHINES / 46 PRODUCT FAMILIES / 1 TOUGH ANIMAL



**SKID-STEER
LOADERS**



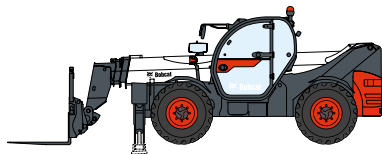
**COMPACT TRACK
LOADERS**



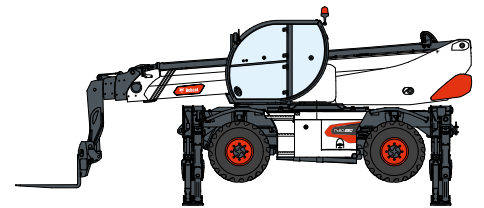
**COMPACT WHEEL
LOADERS**



FORKLIFTS



TELEHANDLERS



ROTARY TELEHANDLERS



**LIGHT COMPACTION
EQUIPMENT**



**COMPACT
EXCAVATORS**



**COMPACT
TRACTORS**



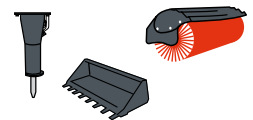
**SMALL ARTICULATED
LOADERS**



**MINI TRACK
LOADER**



MOWERS



ATTACHMENTS

DOOSAN

Bobcat is a Doosan Company. Doosan is a global leader in construction equipment, power & water solutions, engines, and engineering proudly serving customers and communities for more than a century. | Bobcat and the Bobcat logo are registered trademarks of Bobcat Company in the United States and various other countries. ©2023 Bobcat Company. All Rights Reserved.

www.bobcat.com

©2023 BOBCAT B4502501-EN (08-23)



Bobcat®

*Financing options may vary by country and dealer. Always ask your dealer about currently available financing options. Terms and conditions may apply.

Doosan Bobcat EMEA, U Kodelky 1810, 263 12 Dobříš, Czech Republic