



**Bobcat**<sup>®</sup>

*One Tough Animal.*

CONSTRUCTION RANGE

# TELEHANDLERS

R-Series

🌐 Europe



# INTRODUCTION

# ONE TOUGH ANIMAL



### BOBCAT'S HISTORY

In 1958, Melroe Manufacturing Company introduced a compact front-end loader that evolved quickly into the M400, the world's first true skid steer loader. The company soon adopted what became the world-famous 'Bobcat' brand – and its success paved the way for the global compact equipment industry we know today.

### TELESCOPICS CENTER OF EXCELLENCE

All Bobcat telehandlers are designed and produced and qualified at our Center of Excellence in Pontchâteau, France.



### BOBCAT TODAY

With more than 50 years of experience in developing and manufacturing telehandlers, our ISO 9001 certified factory applies the outstanding Bobcat Quality standards.



### OUR MISSION

We empower operators to accomplish more, while working in the toughest conditions and tightest situations. When our customers have the will, we provide the way.

# PRECISION MEETS TOUGHNESS

## DESIGNED TO DO MORE

Bobcat's R-Series Telehandlers provide a balanced combination of a dependable, robust machine for maximum uptime with precise controls, unrivalled comfort and smooth operation for tackling any job.



### CONTROL AT ANY HEIGHT

With surgical precision – thanks to the incredibly smooth transmission, our Boom Positioning System, an updated joystick, the inching function, and great visibility from the cab. **P. 7**



### INTUITIVE OPERATION

With a familiar automotive-style layout, interactive display, automatic transmission and an automatic parking brake. **P. 8**



### MAXIMUM UPTIME

Protective shielding for all vital components. The robust frame and boom make Bobcat Telehandlers extra tough. **P. 10**



### INSPIRING CONFIDENCE

The impressive stability of Bobcat Telehandlers is complemented by many practical safety features and ease of use. **P. 7**

# PERFORMANCE



### WORK WITHOUT STABILIZERS

With the superior stability and balance of our Telehandlers, most jobs do not require stabilizers. Enjoy the freedom of operation and stay in control with Bobcat's Boom Positioning System, active on tires and stabilizers.

### REACH HIGH AND FAR

We designed the machine with a low center of gravity, long wheelbase, heavy counterweight, and optimum weight distribution – so you can reach high and far while handling heavy loads with ease in any position.



### HANDLE WITH(OUT) CARE

Thanks to the Bobcat Telehandlers' butter-smooth automatic transmission and an improved, ultra-precise joystick, it's easy to move even awkward or unstable loads on the job site.



### UNIQUE BOOM POSITIONING SYSTEM

Significant lateral movement of the boom allows precise placement of a load at height. This reduces the need to reposition the machine. This Bobcat patented function is standard on all SLP models.

# STEP INSIDE



## ▶ INTUITIVE OPERATION

Feel at home with intuitive automotive controls and layout. Horn and lights are controlled by left levers, while right levers trigger screen wipers. Jog-wheel and backlit buttons are responsive and feel familiar right from the start.



## ▶ CENTRAL CONTROL PANEL



Carefully designed layout allows you to control functions with your left hand while your right hand is on the joystick.

## ▶ 5-INCH LCD DISPLAY



Highly readable interactive screen shows vital information in real-time. The rear view camera feed is automatically shown when reversing (optional).

## ▶ ALL-IN-ONE JOYSTICK



The joystick's highly ergonomic handle was redesigned with operator feedback. The most important controls are located at your fingertips at all times.



# BUILT TO LAST

## ► SHIELDED DESIGN

All vital components of your machine are located inside the highly rigid boom and frame. The frame itself features a robust box section. The machine's cylinders, hydraulic systems and electric harness stay well protected at all times.

## ► ACCESS AND LAYOUT

Designed to achieve maximum uptime and make maintenance quick and simple. Most important components are directly accessible from the front. Service intervals are conveniently grouped together and all maintenance points are easy to locate and access.



## ► MACHINE IQ

BOBCAT® Machine IQ Wireless Communications enhances the support for your Bobcat machine.

- Durable built-in monitoring electronics
- Data are available to our machine monitoring specialist
- Maintenance is optimized for your business
- Data-driven services maximize uptime



## ► FUTURE-PROOF ENGINE

Bobcat D34 Stage V engine with low cost of ownership and ease of maintenance meets EU regulations for years to come.



## ► SAFETY FIRST

Thanks to the R-Series' redesigned low-profile engine hood and dashboard, you enjoy excellent unobstructed visibility from the cab. Move around the job site confidently, stay safe, and avoid costly mistakes.

# THERE'S NO TIME FOR DOWNTIME. STAND UP TO THE HARSHTEST CONDITIONS. DAY AFTER DAY.

## 3 YEAR WARRANTY

### ► 3-YEAR STANDARD WARRANTY

Bobcat Company develops every machine to the highest standards of quality and durability. That's why our standard warranty provides 36 months or 3 000 operating hours (whichever occurs first) of coverage, extendable up to 5 years.



### ► PROTECTION PLUS EXTENDED WARRANTY

Enjoy total peace of mind with a Protection Plus® extended warranty. Providing the same level of protection as the standard warranty, Protection Plus also reflects different customer needs and expectations by offering a choice of durations and annual operating hours. According to your needs, you can benefit from the coverage for up to 5 years or 6 000 engine hours. And Protection Plus is transferrable – so it will likely increase your machine's resale value.



### ► BOBCARE

A long-running machine starts with proper planned maintenance. Which also helps protect against repair costs and unplanned failures when you're counting on your machine to work.

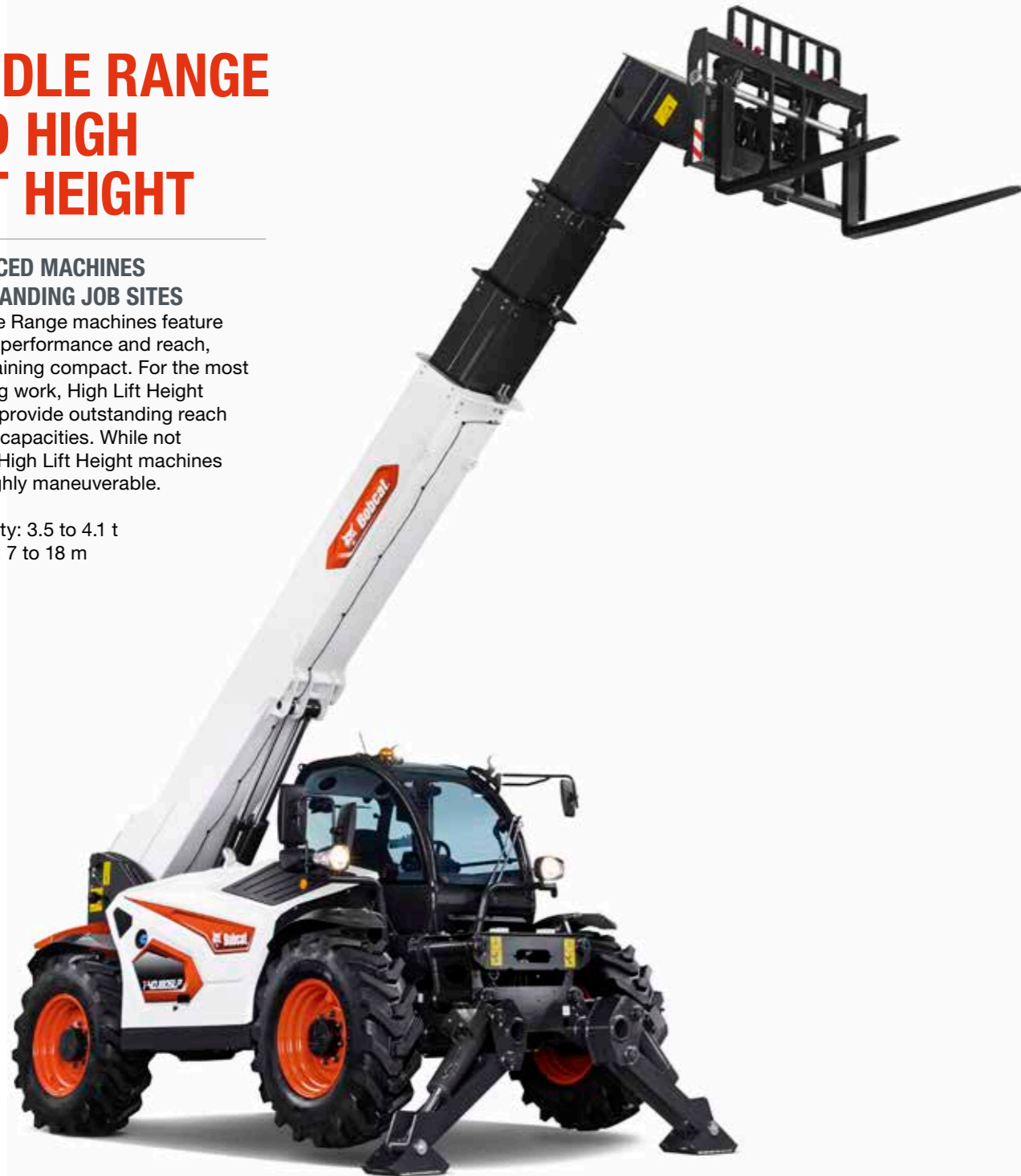
- Avoid risk by preventing major repairs and complete failures.
- Accomplish more by reducing downtime and increasing your productivity and profitability.

# MIDDLE RANGE AND HIGH LIFT HEIGHT

## ▶ ADVANCED MACHINES FOR DEMANDING JOB SITES

Our Middle Range machines feature a boost in performance and reach, while remaining compact. For the most challenging work, High Lift Height machines provide outstanding reach and lifting capacities. While not compact, High Lift Height machines are still highly maneuverable.

Lift capacity: 3.5 to 4.1 t  
Lift height: 7 to 18 m



# CHOOSE YOUR ANIMAL

## COMPACT RANGE

### ▶ LIMITED ACCESS IS ACCESS ENOUGH

A big machine can mean big challenges. But with their emphasis on maneuverability, our Compact Range machines thrive in constrained job sites.

Lift capacity: 2.6 to 3 t  
Lift height: 6 or 7 m

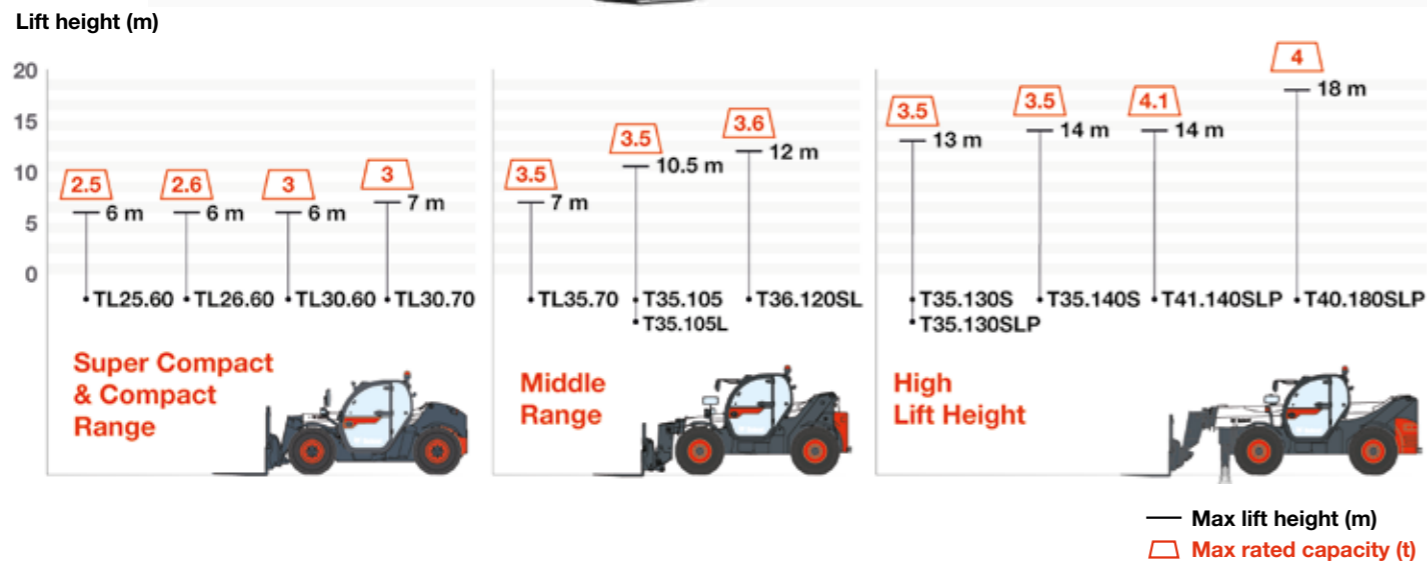


## SUPER COMPACT RANGE

### ▶ SUPERIOR COMFORT IN A SMALL PACKAGE

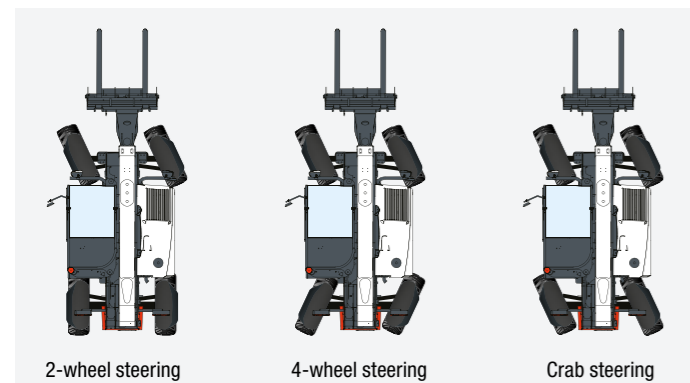
Our Super Compact Range machines boast the same spacious, comfortable workspace as larger models for all-day comfort. And thanks to their compact dimensions and excellent maneuverability, you can work in tight spots without compromising performance.

Lift capacity: 2.5 t  
Lift height: 6 m



# STANDARD EQUIPMENT & OPTIONS

|  | STD | OPT |
|--|-----|-----|
| <b>CAB</b>   |     |     |
| Air conditioning   |     | •   |
| Air suspension seat  |     | •   |
| Bluetooth radio with DAB function and microphone   |     | •   |
| Cab+ pack: phone holder, sun visor, fixed armrest, telescopic & tilting steering column, PVC document holder |     | •   |
| Heating, demisting and ventilation   | •   |     |
| Front, side and rear storages spaces   | •   |     |
| LCD 5" display with navigation jog shuttle   | •   |     |
| Proportional all-in-one joystick (forward/reverse drive and turtle/rabbit speed)                             | •   |     |
| Protective grill for windshield  |     | •   |
| Rear view camera   |     | •   |
| ROPS/FOPS level II operator cab (level I cab for TL25.60)  | •   |     |
| Seat with mechanical suspension  | •   |     |
| Sun visor  |     | •   |
| Tilting steering column (option for TL25.60)   | •   |     |
| USB plugs (mobile charging)  | •   |     |
| <b>TIRES &amp; TRAVEL</b>  |     |     |
| 24 inch general purpose tires  |     | •   |
| Heavy-duty tires (various types)   |     | •   |
| Hand throttle and flex drive   |     | •   |
| Heavy-duty axles (N/A for TL25.60)   | •   |     |
| 3 steering modes (2WS/4WS/CRAB) with semi-automatic wheel realignment (manual mode still available)          | •   |     |
| Automatic parking brake  | •   |     |
| FNR lever  |     | •   |
| Hydrostatic transmission with turtle/rabbit speeds and auto-shift  | •   |     |
| <b>LIGHTS &amp; BEACON</b>   |     |     |
| Halogen beacon   | •   |     |
| LED compact & magnetic rotating beacon (only for TL25.60)  |     | •   |
| Halogen work lights on cab   | •   |     |
| LED work lights  |     | •   |
| Work light on boom   |     | •   |



3 steering modes as standard on all models

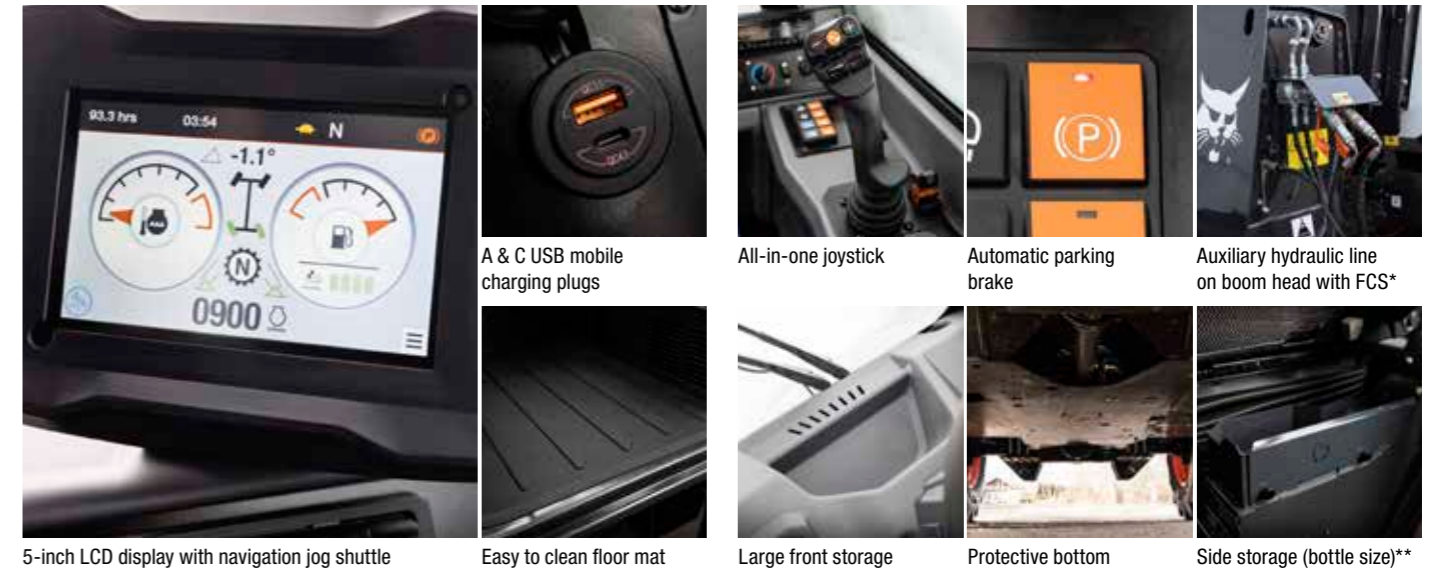
|   | STD | OPT |
|---|-----|-----|
| <b>PERFORMANCE</b>  |     |     |
| Automatic fan inverter  |     | •   |
| Auxiliary hydraulic line on boom head with Fast Connect System (FCS) (option for TL25.60)                               | •   |     |
| Boom wiring harness and electric connectors   |     | •   |
| Carriages with hydraulic attachment lock  |     | •   |
| Competitive carriages   |     | •   |
| Gear pump with flow sharing   | •   |     |
| Inching function combined with brake pedal (for easy low speed approach without changing engine RPM)                    | •   |     |
| <b>MISCELLANEOUS</b>  |     |     |
| Aggravating Movements Arrester (EN15000)  | •   |     |
| Box-welded frame with shielded bottom plate to protect vital parts  | •   |     |
| Custom color  |     | •   |
| Electronic Battery Disconnection (EBD)  | •   |     |
| Lockable fuel and AdBlue caps   | •   | •   |
| Machine IQ (telematic)  | •   |     |
| Man platform predisposition   |     | •   |
| Pallet forks (various types), T models  | •   |     |
| Pallet forks (various types), TL models   | •   |     |
| Protective zinc coat  |     | •   |
| Quicktach carriage with manual attachment lock  | •   |     |
| Remote control for distance boom operation  |     | •   |
| Safety pack (road lights, mirrors, front tow hitch, boom stop, rear/front/roof wipers with washers, back-up alarm, etc) | •   |     |
| Lounge pack (air suspension seat, Cab+ pack, LED work lights, Bluetooth radio with microphone & loudspeakers)           | •   |     |
| Tool box  |     | •   |
| Tow hitches (various types)   |     | •   |



Hydrostatic transmission with dynamic mode for more agility – standard for all models.

## STANDARD EQUIPMENT

Our machines leave the factory ready for tough jobs from Day 1. A range of standard features covers everything from productivity to comfort, raising the bar for modern construction equipment.



5-inch LCD display with navigation jog shuttle

Easy to clean floor mat

Large front storage

Protective bottom steel plate

Side storage (bottle size)\*\*

\*Option for TL25.60  
\*\*N/A for TL25.60



Air suspended seat with headrest

Bluetooth radio with DAB function and microphone

Hand throttle and flex drive



LED work lights

Man platform ready

Mobile holder



Rear camera

Sun visor

Tool box



Tilting and telescopic steering column

## OPTIONAL EQUIPMENT

Sometimes, we all want to add a specific functionality or a personal touch to the machine. Choose from a list of comprehensive options and customize your telehandler to your heart's content!



# MULTI-TOOL CARRIER

## ▶ THE ABILITY TO DO MORE

Bobcat Telehandlers are designed to excel in handling, lifting and people elevation in a variety of applications. With Bobcat attachments, you can make the most of this versatility with optimal efficiency.

## ▶ ATTACHMENTS

- Floating forks
- Rigid pallet forks FEM III
- Side-shift carriages
- Digging buckets
- Crane jibs
- Extension jibs
- Concrete baskets
- Man platforms



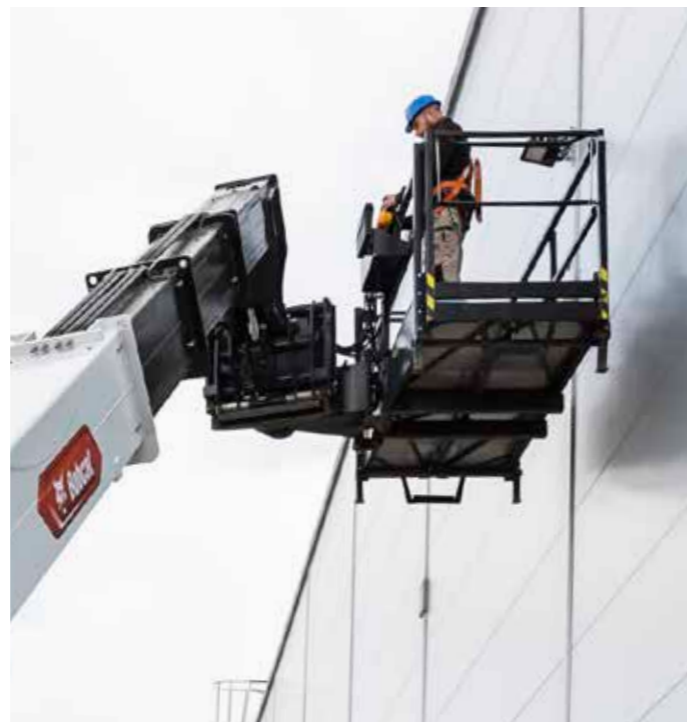
Bucket



Crane jib



Large pallet forks



Extendable rotating man platform



Extension jib

## ▶ TL25.60: VERSATILITY ROOTED IN DESIGN

The Bob-Tach carriage (as standard) allows you to benefit from the Bobcat Skid steer attachments range. Bob-Tach makes this model the most versatile super compact telehandler in the market, allowing you to work in many different applications. The Attachment Control Device lets you connect to even the most advanced attachment – so, you can handle everything the job throws at you.



Auger



Pressure washer



Concrete mixing bucket



Sweeper

# ADAPTABLE BY NATURE

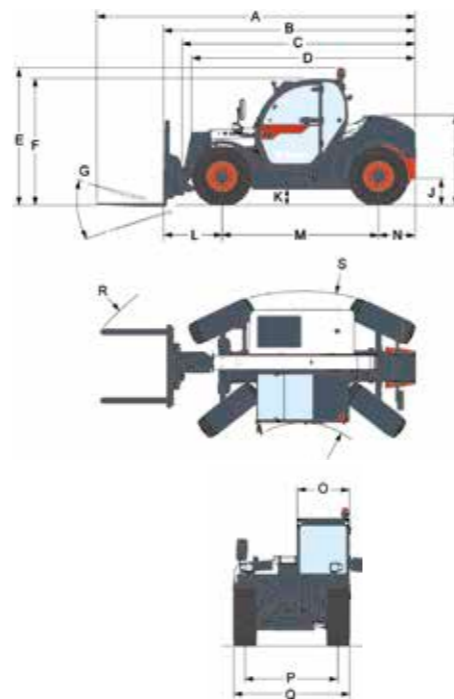
# SUPER COMPACT & COMPACT

# LOAD CHARTS

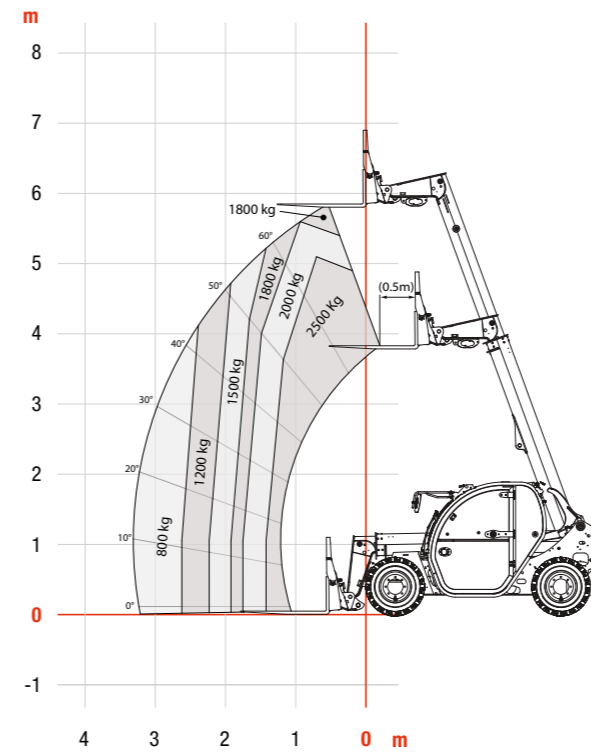
| SPECIFICATIONS   |                                |                       |                       |                       |
|--|--------------------------------|-----------------------|-----------------------|-----------------------|
|  | TL25.60                        | TL26.60               | TL30.60               | TL30.70               |
| <b>CONFIGURATION</b>   |                                |                       |                       |                       |
| Compact stabilizers  | -                              | -                     | -                     | -                     |
| Frame leveling   | -                              | -                     | -                     | -                     |
| Boom positioning system (built-in side-shift system)                   | -                              | -                     | -                     | -                     |
| <b>PERFORMANCE</b>   |                                |                       |                       |                       |
| Maximum lift height with standard tires (on stabilizers when equipped) | 5.9 m                          | 5.8 m                 | 5.8 m                 | 6.7 m                 |
| Maximum lift capacity  | 2 500 kg                       | 2 600 kg              | 3 000 kg              | 3 000 kg              |
| Maximum forward reach with standard tires                              | 3.3 m                          | 3.1 m                 | 3.1 m                 | 4.0 m                 |
| Crowding force   | 3 300 daN                      | 4 600 daN             | 4 600 daN             | 4 600 daN             |
| Frame tilt angle   | -                              | -                     | -                     | -                     |
| BPS Lateral amplitude  | -                              | -                     | -                     | -                     |
| <b>DRIVE SYSTEM</b>  |                                |                       |                       |                       |
| BOBCAT D24 – 75 HP / 280 Nm – Stage V with DPF (no AdBlue)             | •                              | -                     | -                     | -                     |
| BOBCAT D34 – 75 HP / 360 Nm – Stage V with DPF (no AdBlue)             | -                              | •                     | •                     | •                     |
| BOBCAT D34 – 100 HP / 460 Nm – Stage V with DPF (AdBlue)               | -                              | •                     | •                     | •                     |
| Standard tires   | CAMSO 12" - 16.5" SKS 532 12PR | 405/70-20"            | 405/70-20"            | 405/70-20"            |
| Max. travel speed - 100 HP engine (km/h)                               |                                | 30 / 40 (option+ 24") | 30 / 40 (option+ 24") | 30 / 40 (option+ 24") |
| Max. travel speed - 75 HP engine (km/h)                                | 25                             | 30                    | 30                    | 30                    |
| <b>MISCELLANEOUS</b>   |                                |                       |                       |                       |

|              |  |
|--------------|--|
| Transmission | Hydrostatic motor with turtle/rabbit speeds and auto-shift<br>4-wheel drive.<br>3 steering modes with semi-automatic wheel alignment:<br>2 wheels, 4 wheels, crab.   |
| Hydraulics   | Gear pump with LS valve<br>Pump capacity: 100 l/min (80 l/min with 74 HP engine)<br>Working pressure: 250 bar<br>Main valve: electro-proportional, open center with flow sharing and flow compensators technology. |
| Braking      | Hydraulic passive brake system with oil immersed discs and automatic parking brake operation.<br>Inching function combined with brake pedal (slow drive speed without changing engine RPM).                        |

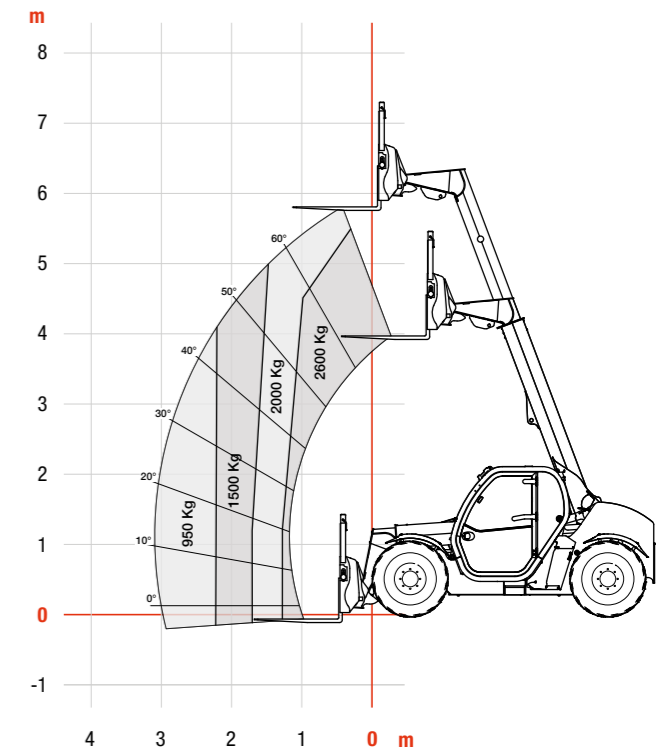
| DIMENSIONS  |      |         |               |               |               |
|---|------|---------|---------------|---------------|---------------|
|   | unit | TL25.60 | TL26.60       | TL30.60       | TL30.70       |
| <b>B</b> Overall length to forks face                 | mm   | 3 989   | 4 507         | 4 507         | 5 035         |
| <b>D</b> Overall length to front tires                | mm   | 3 442   | 4 035         | 4 035         | 4 185         |
| <b>L</b> Length from front axle to forks face         | mm   | 969     | 1 020         | 1 020         | 1 400         |
| <b>M</b> Wheelbase                                    | mm   | 2 360   | 2 820         | 2 820         | 2 820         |
| <b>N</b> Length from rear axle to machine rear        | mm   | 662     | 667           | 667           | 818           |
| <b>F</b> Overall height std. cab (Low cab / High cab) | mm   | 1 930   | 2 140 / 2 290 | 2 140 / 2 290 | 2 140 / 2 290 |
| <b>G</b> Carriage rotation angle                      | deg  | 134     | 136           | 136           | 136           |
| <b>J</b> Ground clearance                             | mm   | 250     | 264           | 264           | 264           |
| <b>Q</b> Width over standard tires                    | mm   | 1 832   | 2 100         | 2 100         | 2 100         |
| Overall width with stabilizers fully deployed         | mm   | -       | -             | -             | -             |
| <b>P</b> Track width (front & rear)                   | mm   | 1 500   | 1 666         | 1 666         | 1 666         |
| <b>R</b> External turning radius at fork tines        | mm   | 4 271   | 4 713         | 4 713         | 5 035         |
| <b>S</b> External turning radius at tires             | mm   | 3 235   | 3 717         | 3 717         | 3 717         |
| <b>O</b> Outside width of cab                         | mm   | 930     | 930           | 930           | 930           |
| Weight (unladen - 100 HP engine & STD tires)          | kg   | -       | 4 840         | 5 260         | 5 564         |
| Weight (unladen - 75 HP engine & STD tires)           | kg   | 4 308   | -             | -             | -             |



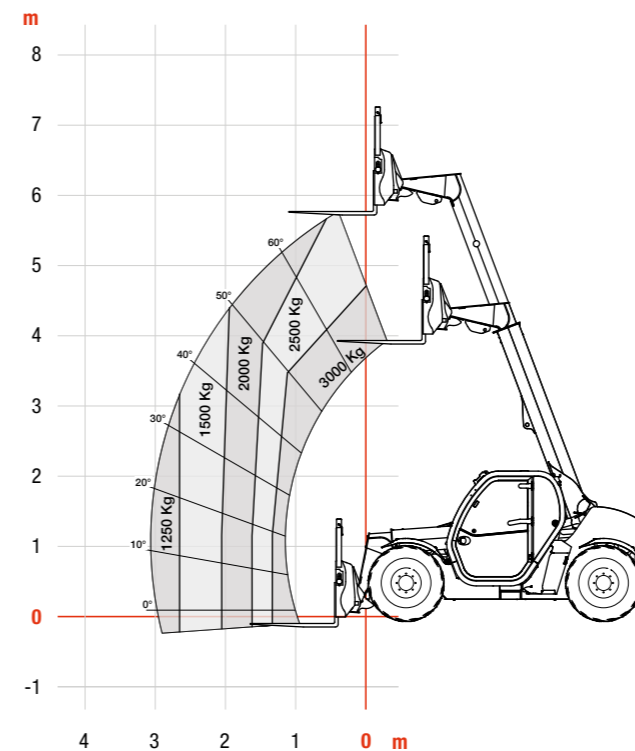
TL25.60



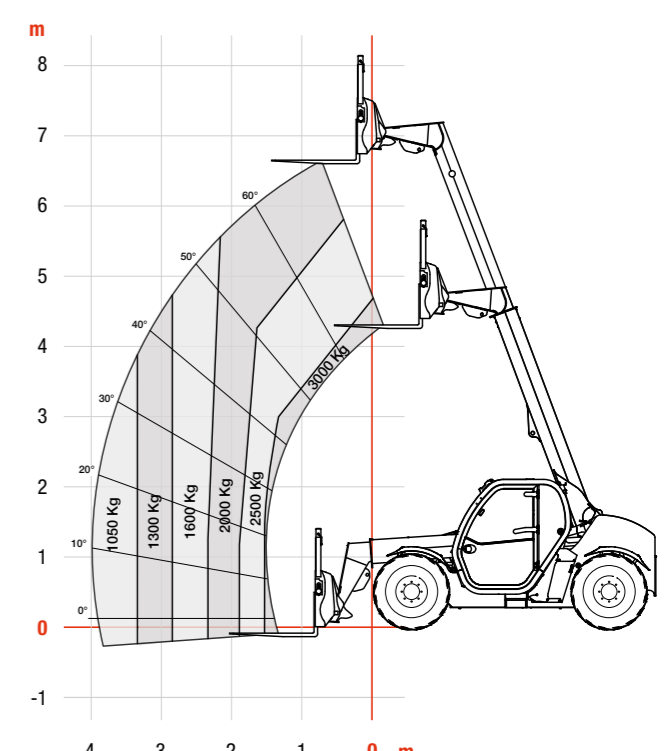
TL26.60



TL30.60



TL30.70



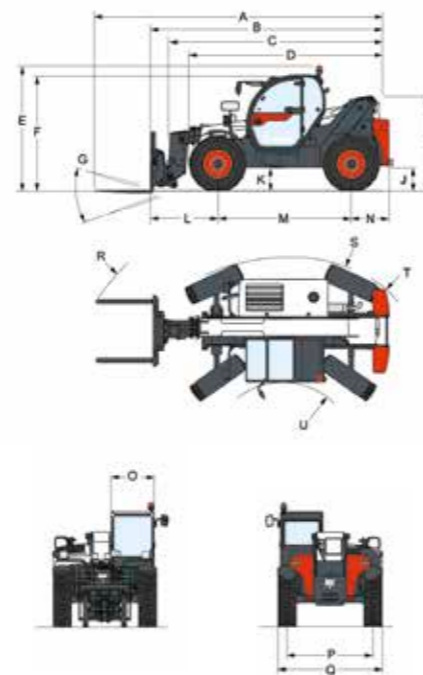
Certain specification(s) are based on engineering calculations and are not actual measurements. Specification(s) are provided for comparison purposes only and are subject to change without notice. Specification(s) for your individual Bobcat equipment will vary based on normal variations in design, manufacturing, operating conditions, and other factors. Pictures of Bobcat units may show other than standard equipment.

# MIDDLE RANGE

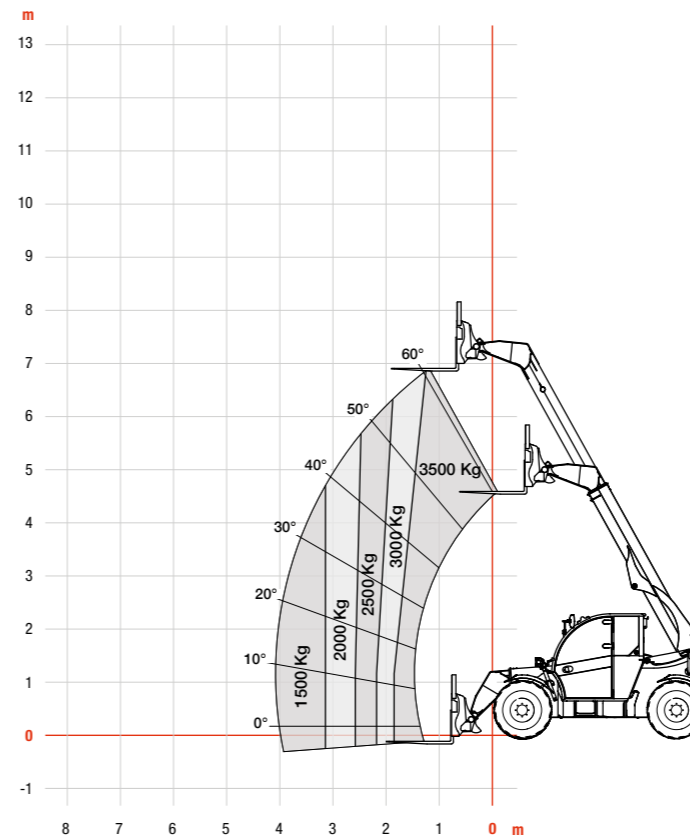
# LOAD CHARTS

| SPECIFICATIONS   |  |                     |                     |                     |
|--|--|---------------------|---------------------|---------------------|
|  | TL35.70  | T35.105             | T35.105L            | T36.120SL           |
| <b>CONFIGURATION</b>   |  |                     |                     |                     |
| Compact stabilizers  | -  | -                   | -                   | •                   |
| Frame leveling   | -  | -                   | •                   | •                   |
| Boom positioning system (built-in side-shift system)                   | -  | -                   | -                   | -                   |
| <b>PERFORMANCE</b>   |  |                     |                     |                     |
| Maximum lift height with standard tires (on stabilizers when equipped) | 6.9 m  | 10.3 m              | 10.3 m              | 11.9 m              |
| Maximum lift capacity  | 3 500 kg   | 3 500 kg            | 3 500 kg            | 3 600 kg            |
| Maximum forward reach with standard tires                              | 4.0 m  | 6.9 m               | 6.9 m               | 8.2 m               |
| Crowding force   | 6 200 daN  | 7 800 daN           | 7 800 daN           | 7 800 daN           |
| Frame tilt angle   | -  | -                   | +/-6°               | +/-6°               |
| BPS Lateral amplitude  | -  | -                   | -                   | -                   |
| <b>DRIVE SYSTEM</b>  |  |                     |                     |                     |
| BOBCAT D34 – 75 HP / 360 Nm – Stage V with DPF (no AdBlue)             | -  | •                   | •                   | •                   |
| BOBCAT D34 – 100 HP / 460 Nm – Stage V with DPF (AdBlue)               | •  | •                   | •                   | •                   |
| Standard tires   | 405/70-20"   | 405/70-20"          | 405/70-20"          | 405/70-20"          |
| Max. travel speed - 100 HP engine (km/h)                               | 30 / 40 (option+ 24")  | 25 (20") / 30 (24") | 25 (20") / 30 (24") | 25 (20") / 30 (24") |
| Max. travel speed - 75 HP engine (km/h)                                | 30   | 20 (20") / 25 (24") | 20 (20") / 25 (24") | 20 (20") / 25 (24") |
| <b>MISCELLANEOUS</b>   |  |                     |                     |                     |
| Transmission   | Hydrostatic motor with turtle/rabbit speeds and auto-shift 4-wheel drive.<br>3 steering modes with semi-automatic wheel alignment:<br>2 wheels, 4 wheels, crab.<br>Gear pump with LS valve                                     |                     |                     |                     |
| Hydraulics   | Pump capacity: 100 l/min (80 l/min with 74 HP engine) Working pressure: 250 bar<br>Main valve: electro-proportional controls with flow sharing and flow compensators technology, auxiliary neutral position with flow released |                     |                     |                     |
| Braking  | Hydraulic passive brake system with oil immersed discs and automatic parking brake operation.<br>Inching function combined with brake pedal (slow drive speed without changing engine RPM).                                    |                     |                     |                     |

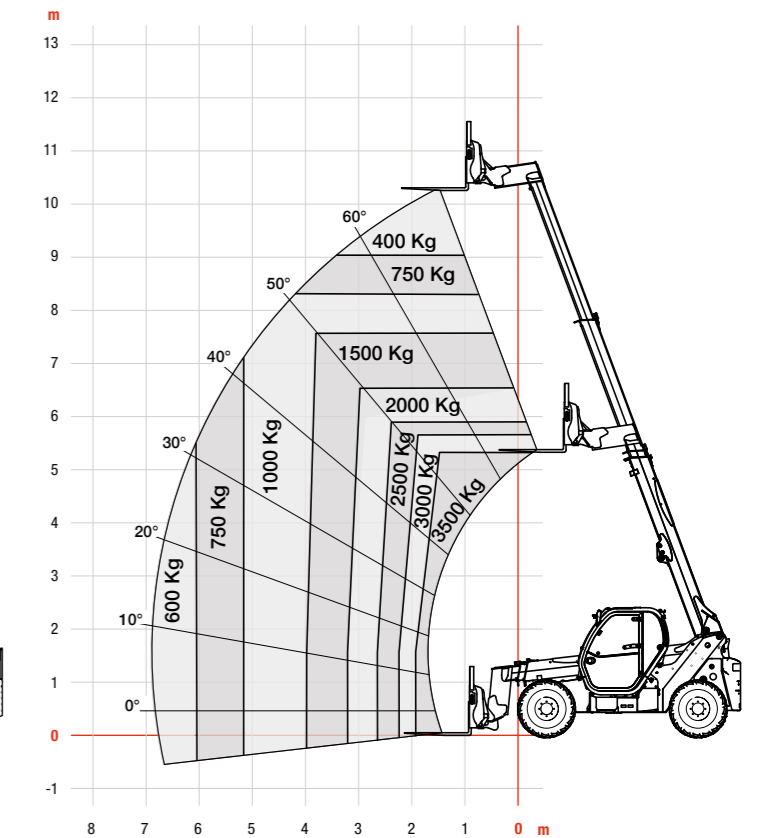
| DIMENSIONS                                     |      |         |         |          |           |
|--|------|---------|---------|----------|-----------|
|  | unit | TL35.70 | T35.105 | T35.105L | T36.120SL |
| <b>B</b> Overall length to forks face          | mm   | 4 869   | 5 071   | 5 071    | 5 442     |
| <b>D</b> Overall length to front tires         | mm   | 4 058   | 4 192   | 4 192    | 4 660     |
| <b>L</b> Length from front axle to forks face  | mm   | 1 356   | 1 422   | 1 422    | 1 793     |
| <b>M</b> Wheelbase                             | mm   | 2 870   | 2 850   | 2 850    | 2 850     |
| <b>N</b> Length from rear axle to machine rear | mm   | 643     | 799     | 799      | 799       |
| <b>F</b> Overall height std cab                | mm   | 2 373   | 2 430   | 2 430    | 2 430     |
| <b>G</b> Carriage rotation angle               | deg  | 135     | 143     | 143      | 143       |
| <b>J</b> Ground clearance                      | mm   | 346     | 415     | 415      | 415       |
| <b>Q</b> Width over standard tires             | mm   | 2 300   | 2 264   | 2 264    | 2 264     |
| Overall width with stabilizers fully deployed  | mm   | -       | -       | -        | 2 479     |
| <b>P</b> Track width (front & rear)            | mm   | 1 895   | 1 862   | 1 862    | 1 862     |
| <b>R</b> External turning radius at fork tines | mm   | 4 925   | 5 025   | 5 025    | 5 341     |
| <b>S</b> External turning radius at tires      | mm   | 3 714   | 3 765   | 3 765    | 3 765     |
| <b>O</b> Outside width of cab                  | mm   | 1 013   | 930     | 930      | 930       |
| Weight (unladen - 100 HP engine & STD tires)   | kg   | 7 075   | 7 110   | 7 110    | 8 080     |



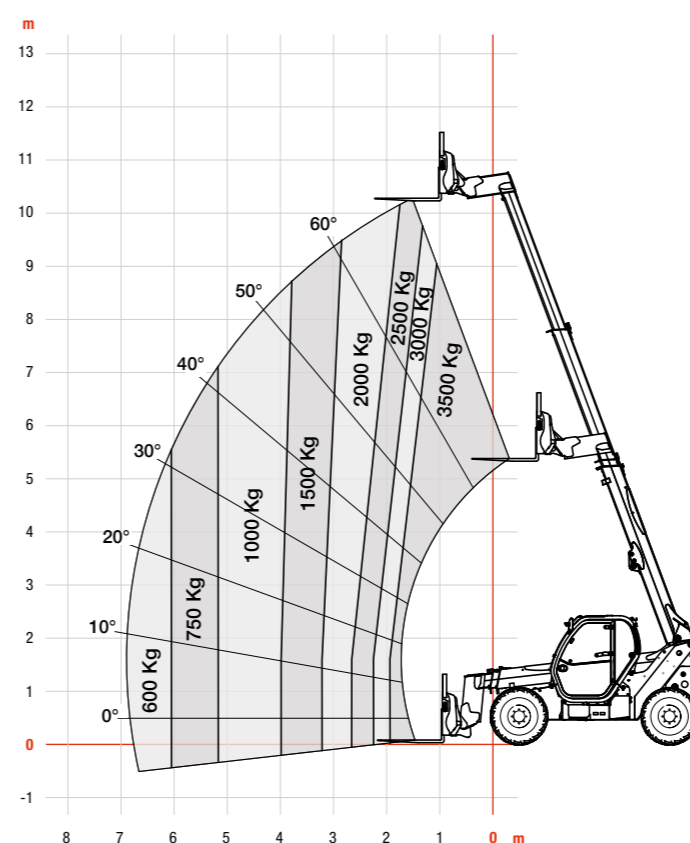
TL35.70



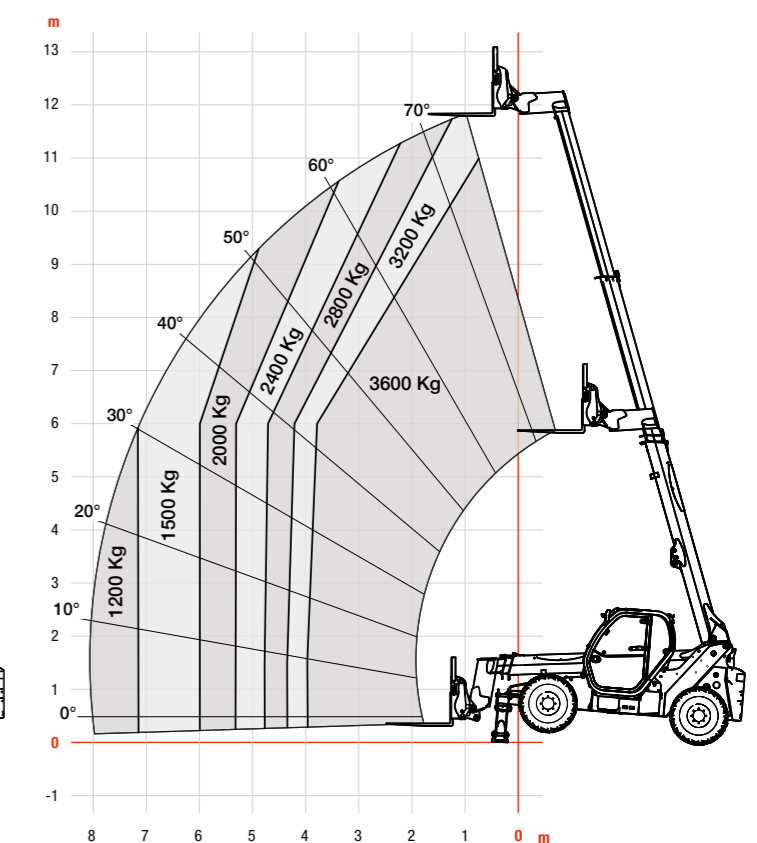
T35.105



T35.105L



T36.120SL

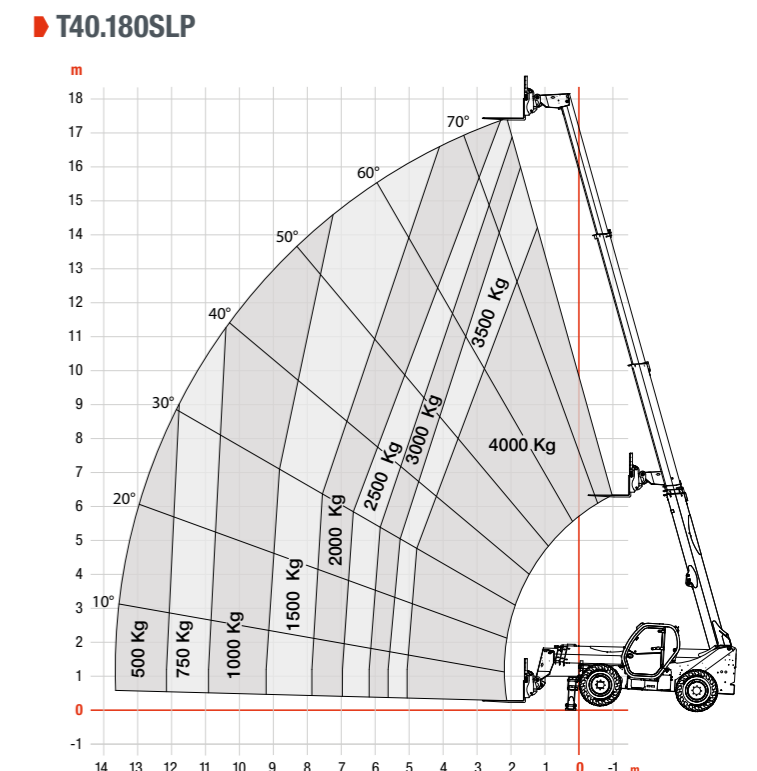
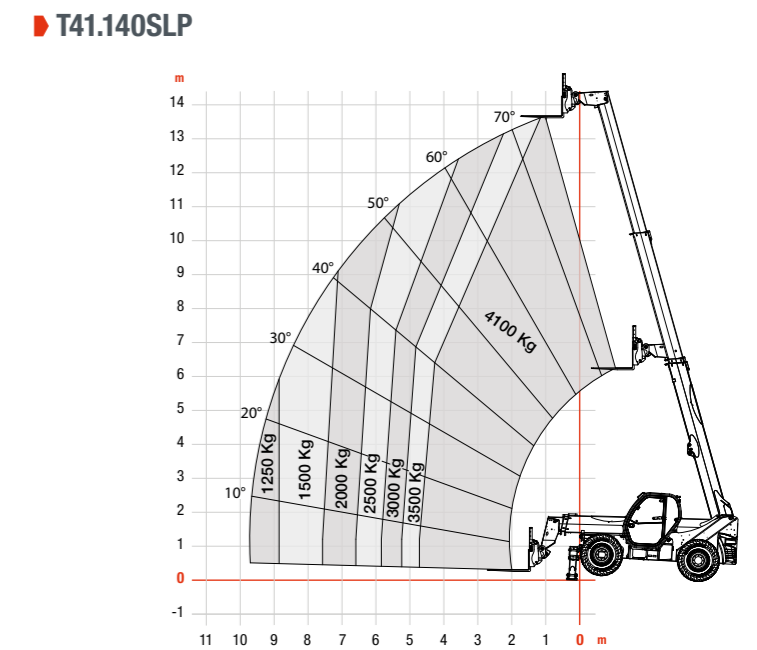
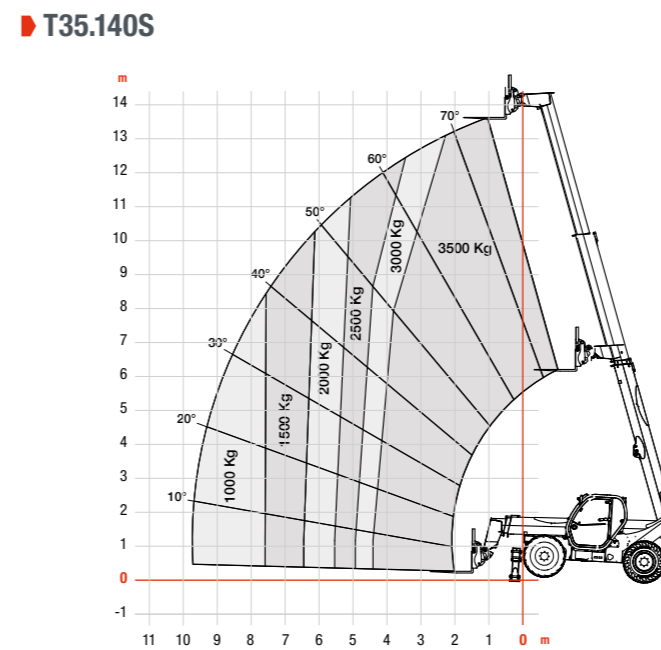
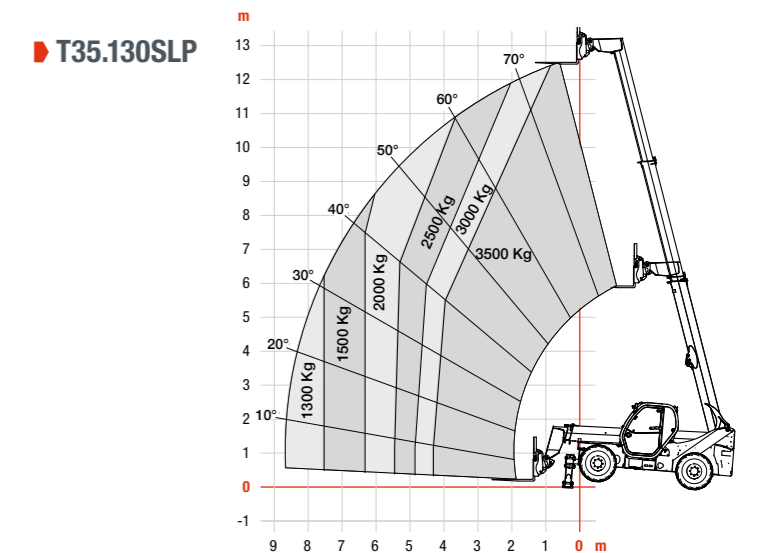
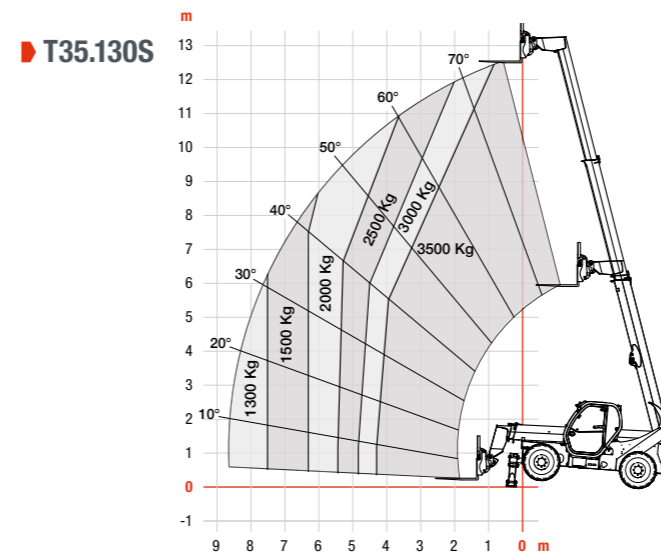
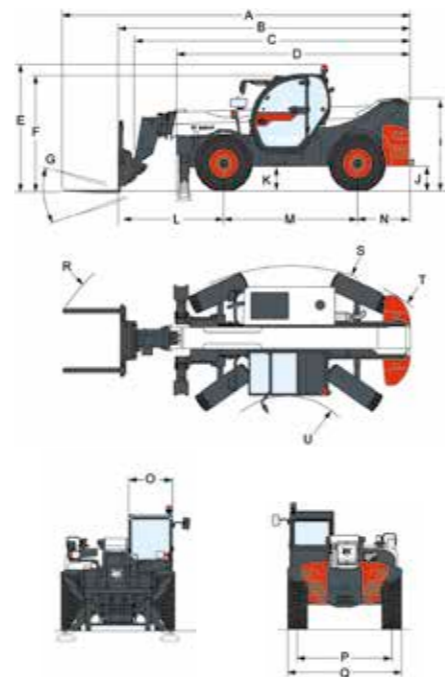


Certain specification(s) are based on engineering calculations and are not actual measurements. Specification(s) are provided for comparison purposes only and are subject to change without notice. Specification(s) for your individual Bobcat equipment will vary based on normal variations in design, manufacturing, operating conditions, and other factors. Pictures of Bobcat units may show other than standard equipment.

# HIGH LIFT HEIGHT

| SPECIFICATIONS   |   |                     |            |            |            |
|--|---|---------------------|------------|------------|------------|
|  | T35.130S  | T35.130SLP          | T35.140S   | T41.140SLP | T40.180SLP |
| <b>CONFIGURATION</b>   |   |                     |            |            |            |
| Compact stabilizers  | •   | •                   | •          | •          | •          |
| Frame leveling   | -   | •                   | -          | •          | •          |
| Boom positioning system (built-in side-shift system)                   | -   | •                   | -          | •          | •          |
| <b>PERFORMANCE</b>   |   |                     |            |            |            |
| Maximum lift height with standard tires (on stabilizers when equipped) | 12.5 m  | 12.5 m              | 13.6 m     | 13.6 m     | 17.5 m     |
| Maximum lift capacity  | 3 500 kg  | 3 500 kg            | 3 500 kg   | 4 100 kg   | 4 000 kg   |
| Maximum forward reach with standard tires                              | 8.8 m   | 8.8 m               | 9.8 m      | 9.8 m      | 12.1 m     |
| Crowding force   | 12 300 daN  | 12 300 daN          | 12 300 daN | 12 300 daN | 12 300 daN |
| Frame tilt angle   | -   | +/-4°               | -          | +/-4°      | +/-4°      |
| BPS Lateral amplitude  | -   | +/-450 mm           | -          | +/- 525 mm | +/- 675 mm |
| <b>DRIVE SYSTEM</b>  |   |                     |            |            |            |
| BOBCAT D34 – 75 HP / 360 Nm – Stage V with DPF (no AdBlue)             | •   | •                   | •          | •          | •          |
| BOBCAT D34 – 100 HP / 460 Nm – Stage V with DPF (AdBlue)               | •   | •                   | •          | •          | •          |
| Standard tires   | 405/70-20"  | 405/70-20"          | 400/80-24" | 400/80-24" | 400/80-24" |
| Max. travel speed - 100 HP engine (km/h)                               | 25 (20") / 30 (24")   | 25 (20") / 30 (24") | 30         | 30         | 30         |
| Max. travel speed - 75 HP engine (km/h)                                | 20 (20") / 25 (24")   | 20 (20") / 25 (24") | 25         | 25         | 25         |
| <b>MISCELLANEOUS</b>   |   |                     |            |            |            |
| Transmission   | Hydrostatic motor with turtle/rabbit speeds and auto-shift 4-wheel drive.<br>3 steering modes with semi-automatic wheel alignment:<br>2 wheels, 4 wheels, crab.   |                     |            |            |            |
| Hydraulics   | Gear pump with LS valve<br>Pump capacity: 100 l/min (80 l/min with 74 HP engine) - Working pressure: 250 bar<br>Main valve: electro-proportional controls with flow sharing and flow compensators technology, auxiliary neutral position with flow released |                     |            |            |            |
| Braking  | Hydraulic passive brake system with oil immersed discs and automatic parking brake operation.<br>Inching function combined with brake pedal (slow drive speed without changing engine RPM).   |                     |            |            |            |

| DIMENSIONS                                     |      |          |            |          |            |            |
|--|------|----------|------------|----------|------------|------------|
|  | unit | T35.130S | T35.130SLP | T35.140S | T41.140SLP | T40.180SLP |
| <b>B</b> Overall length to forks face          | mm   | 5 876    | 5 876      | 6 108    | 6 108      | 6 220      |
| <b>D</b> Overall length to front tires         | mm   | 4 950    | 4 950      | 4 950    | 4 950      | 4 950      |
| <b>L</b> Length from front axle to forks face  | mm   | 1 919    | 1 919      | 2 151    | 2 151      | 2 263      |
| <b>M</b> Wheelbase                             | mm   | 2 850    | 2 850      | 2 850    | 2 850      | 2 850      |
| <b>N</b> Length from rear axle to machine rear | mm   | 1 107    | 1 107      | 1 107    | 1 107      | 1 107      |
| <b>F</b> Overall height std cab                | mm   | 2 435    | 2 435      | 2 520    | 2 520      | 2 520      |
| <b>G</b> Carriage rotation angle               | deg  | 124      | 124        | 124      | 124        | 124        |
| <b>J</b> Ground clearance                      | mm   | 422      | 422        | 509      | 509        | 509        |
| <b>Q</b> Width over standard tires             | mm   | 2 418    | 2 418      | 2 418    | 2 418      | 2 418      |
| Overall width with stabilizers fully deployed  | mm   | 2 619    | 2 619      | 2 619    | 2 619      | 2 619      |
| <b>P</b> Track width (front & rear)            | mm   | 1 992    | 1 992      | 1 992    | 1 992      | 1 992      |
| <b>R</b> External turning radius at fork tines | mm   | 5 696    | 5 696      | 5 640    | 5 745      | 5 840      |
| <b>S</b> External turning radius at tires      | mm   | 4 150    | 4 150      | 4 150    | 4 150      | 4 150      |
| <b>O</b> Outside width of cab                  | mm   | 930      | 930        | 930      | 930        | 930        |
| Weight (unladen - 100 HP engine & STD tires)   | kg   | 8 595    | 8 705      | 9 070    | 9 770      | 10 390     |



Certain specification(s) are based on engineering calculations and are not actual measurements. Specification(s) are provided for comparison purposes only and are subject to change without notice. Specification(s) for your individual Bobcat equipment will vary based on normal variations in design, manufacturing, operating conditions, and other factors. Pictures of Bobcat units may show other than standard equipment.

# FINANCING OPTIONS

## 24, 36, OR 48 MONTH FINANCING\*

Take advantage of 24, 36 or 48 month financing programs starting from **0% interest** and improve your cashflow. Ask your dealer for the financing offers available.

**100 MACHINES / 150 ATTACHMENT FAMILIES / 1 TOUGH ANIMAL**



**SKID STEER  
LOADERS**



**COMPACT TRACK  
LOADERS**



**COMPACT WHEEL  
LOADERS**



**SMALL ARTICULATED  
LOADERS**



**TELEHANDLERS**



**ROTARY TELESCOPIC  
HANDLERS**



**LIGHT COMPACTION  
EQUIPMENT**



**MINI TRACK  
LOADER**



**COMPACT EXCAVATORS**



**ATTACHMENTS**

**DOOSAN**

[www.bobcat.com](http://www.bobcat.com)

**Bobcat is a Doosan Company.** Doosan is a global leader in construction equipment, power & water solutions, engines, and engineering proudly serving customers and communities for more than a century. | Bobcat and the Bobcat logo are registered trademarks of Bobcat Company in the United States and various other countries. ©2022 Bobcat Company. All Rights Reserved.

©2022 BOBCAT B4501934-EN (11-22)



**Bobcat**®

\*Financing options may vary by country and dealer. Always ask your dealer about currently available financing options. Terms and conditions may apply.

Doosan Bobcat EMEA, U Kodelky 1810, 263 12 Dobříš, Czech Republic